

**Product Sheet**

**Lit Flood 2**

Options: small  
Colour temperature: 4000 K  
Type of optics: street asymmetrical ME-03

**06LT2A400A0CHM4**

Colour: Sablé 100 Noir

Project Num.

Date



**General features**

Description: LED floodlight

Insulation class: class II (class I on request)

Nominal voltage: 220-240 V 50/60 Hz

Protection level IP: IP66

Protection against impact: IK10

Power factor: > 0.9

Ambient temperature Ta: -30°C +50°C

Weight: 4.00 kg

Maximum exposed surface: 0,069 m<sup>2</sup>

Lateral exposed surface: 0.02 m<sup>2</sup>

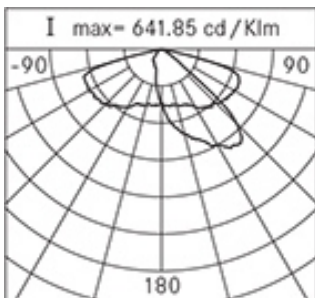
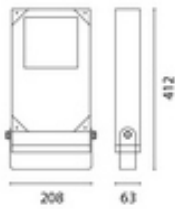
Common mode overvoltage protection: 10 kV

Differential mode overvoltage protection: 6 kV

Driver: included

Labels and Certifications: ENEC / CE

Warranty: 5 years for LED fittings



**Performance Data\***

LED current:	700 mA
Flux source:	5165 lm
Power source:	31 W
Efficiency of source:	167 lm/W
Flux fitting:	4340 lm
Power fitting:	35,5 W
Efficiency of fitting:	122 lm/W
Dazzling index category:	D6

### Optical System

Source: LED L1

Colour temperature: 4000 K

Colour rendering index (CRI):  $\geq 70$

Type of optics: street asymmetrical ME-03

Optical unit lifetime: >100.000h @700mA @Ta25°C TM21 L80B10

Photobiological safety class: EXEMPT GROUP

ULOR: 0%

DLOR: 100%

Luminous intensity category: G\*4

### Normative framework

EN605981 / EN60598-2-3 / EN60598-2-5 / EN62471 / EN61547

### Installation and maintenance

Installation: wall / ground / pole

Poles diameter:  $\varnothing$  60 - 76 - 102 mm

Inclination: fastened or adjustable installation

Fastening: steel bracket

Wiring: pre-wired product

$\varnothing$  power cable: 10 + 14 mm

Cable gland: PG16

### Flux regulation

	Standard	On request
Self-learning virtual midnight		X
Constant Light Output (CLO)		X

### Materials

Body: die-cast aluminium alloy UNI EN AB 47100 (copper content < 1%)

Screen: tempered flat glass

Lenses: PMMA high transparent

Fastening system: die-cast aluminium alloy UNI EN AB 47100 (copper content < 1%)

Seal: anti-age silicone

Screws: stainless steel AISI 304

Wiring plate: zinc-plated steel

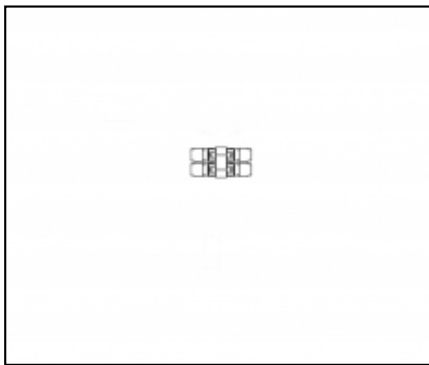
Finish: phospho-chromatation treated and polyester powder-coated in 16 phases to increase weather resistance

### Colors

Sablé 100 Noir

Cod. **06LT2A400A0CHM4**

### Complements



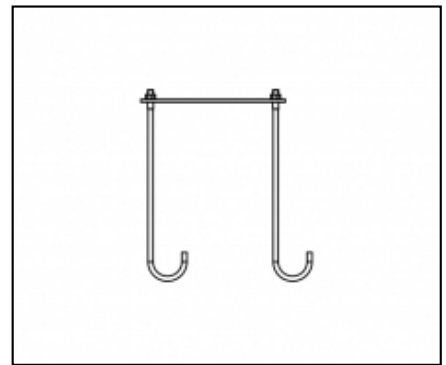
#### 06KS909C0

B89 Connector 4 wai IP68



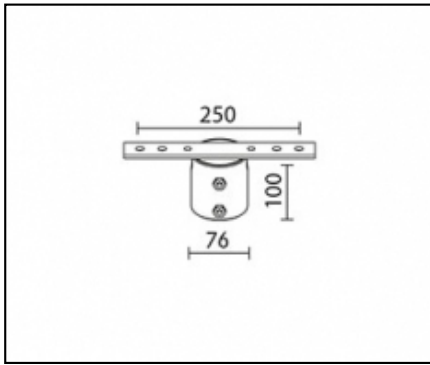
#### 06KS918C0

B137 2-way connector IP68



#### 06LT909J0

B118 Anchor for concrete LIT/SIGMA



---

**06NW902C0**

L14 post top kit for Ø 76 mm poles. Colour:  
Sablé 100 Noir.

---

**NOTE****\*Performance Data**

Values indicated in this technical sheet are to be considered nominal values with a tolerance of +/-7%.

Data of the lighting source flux and efficiency refer to the LED module, without lenses. In case you need data of the LED module complete with lenses, please multiply the mentioned data by 0.9 factor.

**General Data**

The features of the product listed above may be subjected to change without notice. They will have to be confirmed in case of order.

In order to facilitate a constant updating of their products, Cariboni Group reserves the right to make changes without prior notice.