

Product Sheet

Omikron mini Pole

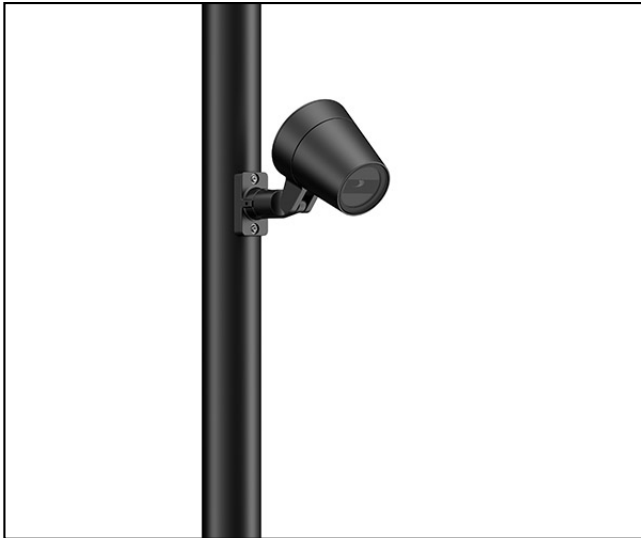
Options: DALI
Colour temperature: 4000 K
Type of optics: spot 25°

060M3A130A9AV

Colour: grey RAL9006

Project Num.

Date



General features

Description: LED floodlight

Insulation class: class III

Nominal voltage: 24Vdc

Protection level IP: IP66

Protection against impact: IK07

Power factor: > 0.9

Ambient temperature Ta: -30°C +50°C

Installation height: universal

Weight: 1.00 kg

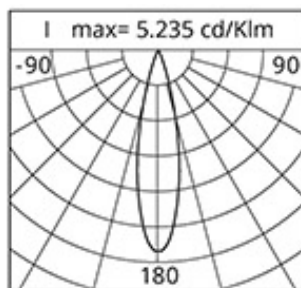
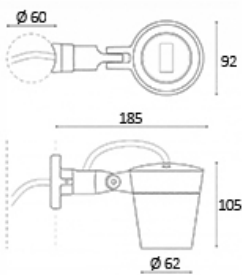
Maximum exposed surface: 0,011 m²

Lateral exposed surface: 0,006 m²

Driver: remote (to be ordered separately)

Labels and Certifications: CE

Warranty: 5 years for LED fittings



Performance Data*

Flux source:	640 lm
Power source:	6,2 W
Efficiency of source:	103 lm/W
Flux fitting:	495 lm
Power fitting:	6,2 W
Efficiency of fitting:	80 lm/W

Optical System

Source: LED

Colour temperature: 4000 K

Colour rendering index (CRI): ≥ 80 SDCM ≤ 3

Type of optics: spot 25°

Optical unit lifetime: 60.000 h @Ta25°C TM21 L80B50

Photobiological safety class: EXEMPT GROUP

Normative framework

EN605981 / EN60598-2-5 / EN62471 / EN61547

Flux regulation

	Standard	On request
DALI Regulation	X	

Installation and maintenance

Installation: pole

Poles diameter: \varnothing 60 mm

Inclination: -90° +45°, continuously-adjustable pointing and locking system

Fastening: fixing base made of die-cast aluminium alloy UNI EN AB 47100 (copper content < 1%) for pole \varnothing 60mm

Wiring: pre-wired product with cable L=5m

Cable gland: M12x1,5

Materials

Body: die-cast aluminium alloy UNI EN AB 47100 (copper content < 1%)

Screen: tempered flat glass

Lenses: PMMA high transparent

Fastening system: base die-cast aluminium alloy UNI EN AB 47100 (copper content < 1%)

Seal: expanded anti-age silicone foam

Screws: stainless steel AISI 304

Finish: phospho-chromatation treated and polyester powder-coated in 16 phases to increase weather resistance

Colors

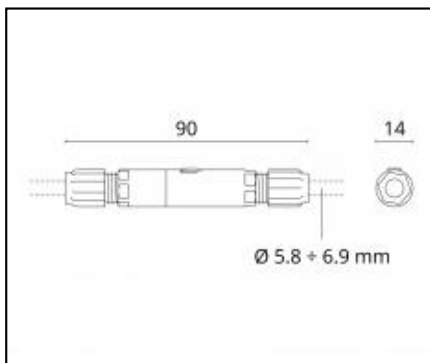
grey RAL9006

Cod. **06OM3A130A9AV**

Sablé 100 Noir

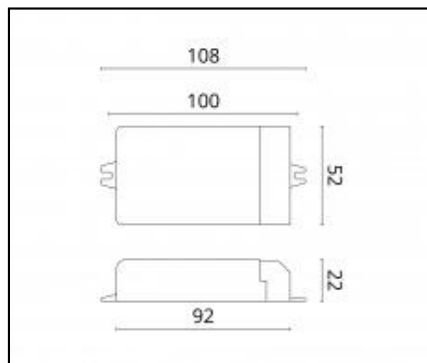
Cod. **06OM3A130A9CV**

Complements



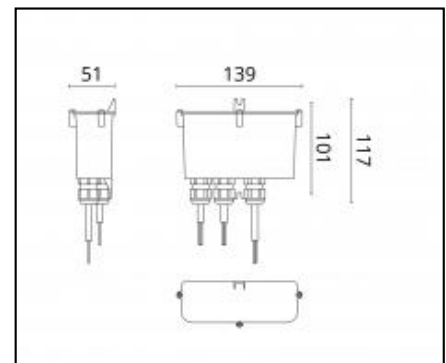
06GC902X0

B165 2-pole connector IP68



06OM902X0

D6 DALI DRIVER 20W 24V IP20 MAX 2 OMIKRON MINI



06OM903X0

D7 KIT DALI DRIVER 20W 24V IP67 MAX 2 OMIKRON MINI

NOTE

*Performance Data

Values indicated in this technical sheet are to be considered nominal values with a tolerance of +/-7%.

Data of the lighting source flux and efficiency refer to the LED module, without lenses. In case you need data of the LED module complete with lenses, please multiply the mentioned data by 0.9 factor.

General Data

The features of the product listed above may be subjected to change without notice. They will have to be confirmed in case of order. In order to facilitate a constant updating of their products, Cariboni Group reserves the right to make changes without prior notice.